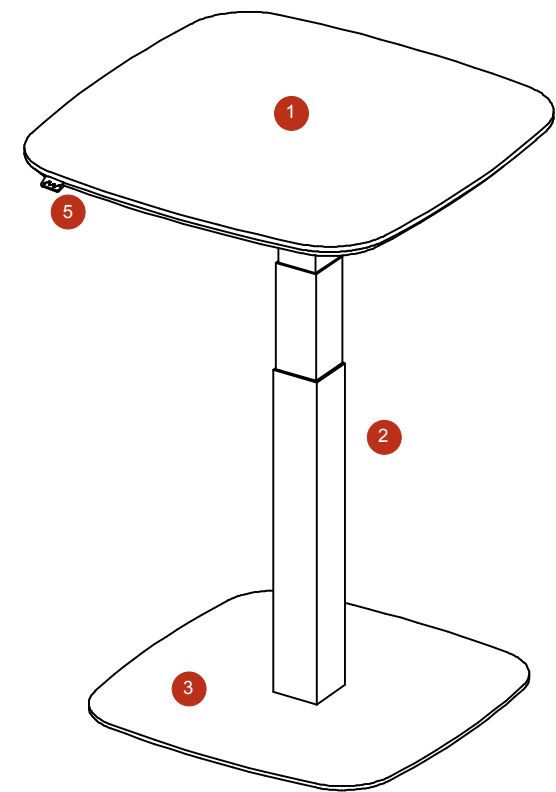
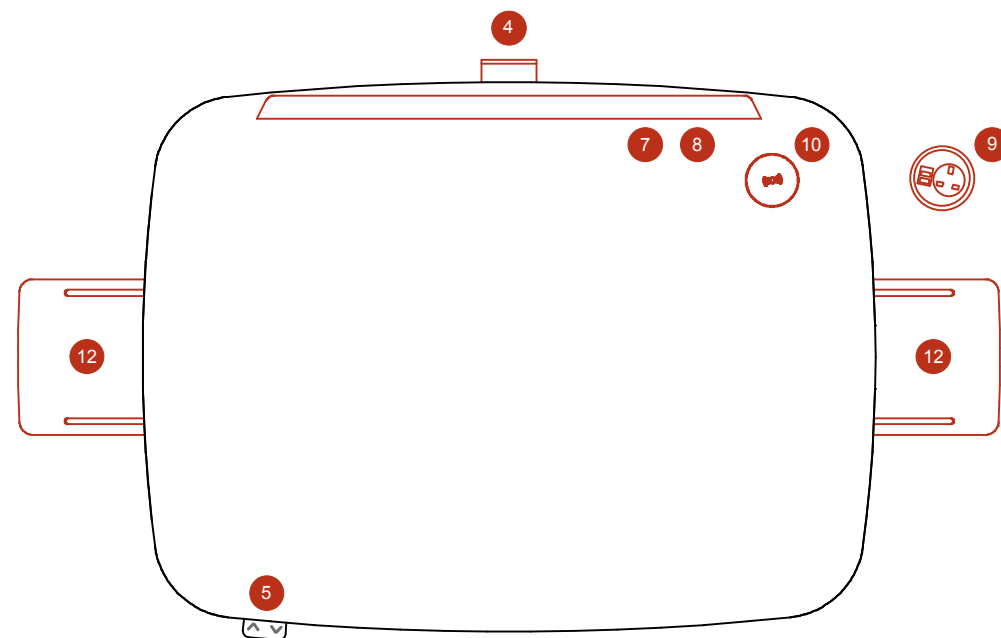


GENERAL SPECIFICATION



- 1 TOP: White solid core top on 19mm PLY substrate
- 2 LEGS: electric telescopic actuator
- 3 BASEPLATE: 6mm Laser cut steel plate white powder coated finish
- 4 COAT HOOK: 3mm Laser cut/folded white powder coated finish
- 5 HEIGHT CONTROLLER: Up/Down
- 6 CONTROL BOX: Integrated Control Box
- 7 LIGHTBAR: Milled aluminium casing with white powder coated finish
- 8 LED LIGHTING SYSTEM: Govee LED RGBW remote control/phone app
- 9 POWER SOCKET: OE Electrical Pixel Tuf twin USB / 240v mains
- 10 QI CHARGER: Integral to desktop.
- 12 PULL OUT SHELVES: 3mm Laser cut steel white powder coated finish



OPTIONAL EXTRAS TO POP 800

DIMENSIONS

H: 600/1250mm      W: 1475mm      D: 750mm

WEIGHT

24.5kg / 26.5KG